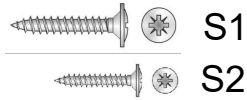


Custom Made Heated Floor

Assembly Manual V1 2023



www.atvi.eu



1. View the video tutorial on how to connect the heated floor to your phone.

Install app and create account.

Read all the assembly steps to get the whole process before starting

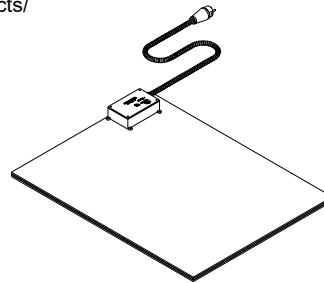
Link :
atvi.eu/en/blog-dog-house-heating-products/

Scan Me:



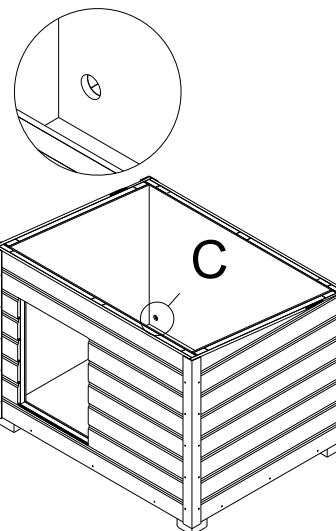
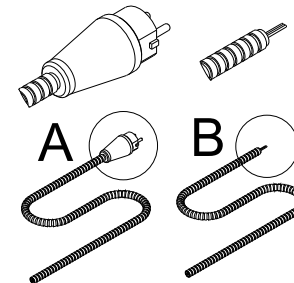
2. Prior to putting it in the dog house, plug in the heated floor and connect it to the phone as described in the video tutorial.

Unplug after everything is ok

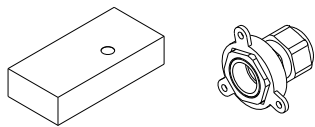
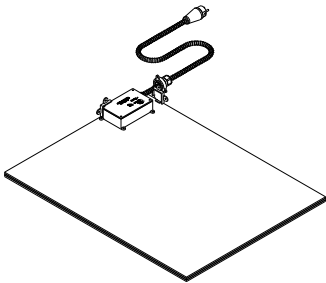
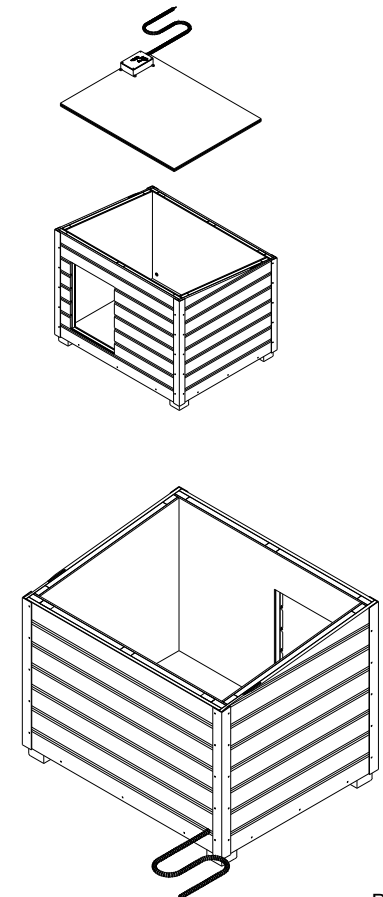


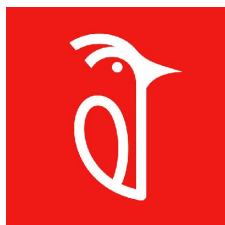
3. Make a whole (C) in the dog your dog house so that you can pass the cable out. Recommended diameter is 20mm. Center the whole so that the cable will be straight with the heated floor box

Take the plug out (A ->B) for the whole to be smaller. Take a photo of the actual wiring.



4. Pass the cable out and put the heated floor inside the dog house





www.atvi.eu

Custom Made Heated Floor

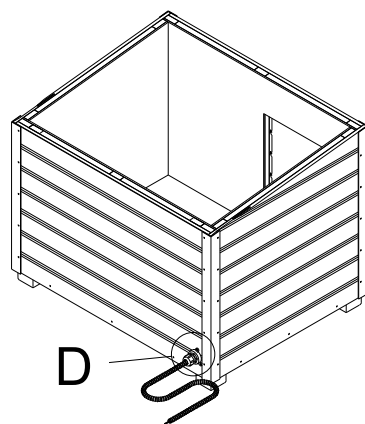
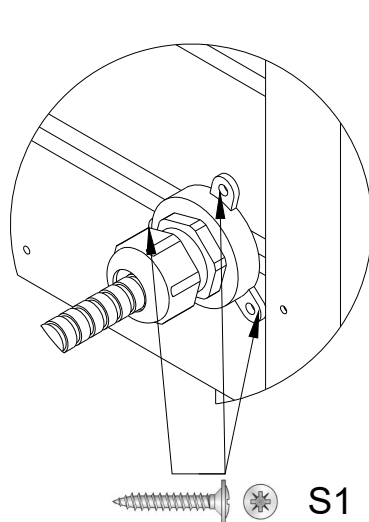
Assembly Manual V1 2023



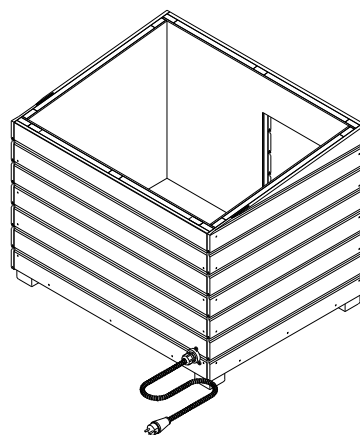
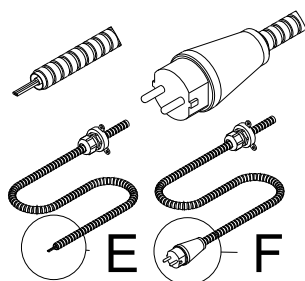
5. Fix the cable gland from not moving using the provided elements

Screw them on the dog house wall

Rotate the knob to apply pressure on the cable gland and to fix it



6. Put back the plug (E->F), make sure to connect the wires as they were (see the photo you took if needed)



6. Protect the plastic box with the metal cover

Fix the metal cover with plastic corners provided

